



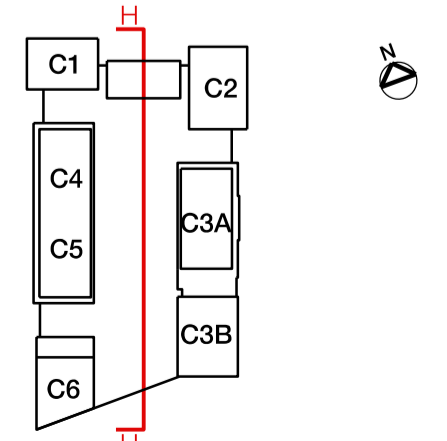
01 Elevation H-H  
1:200

Material key

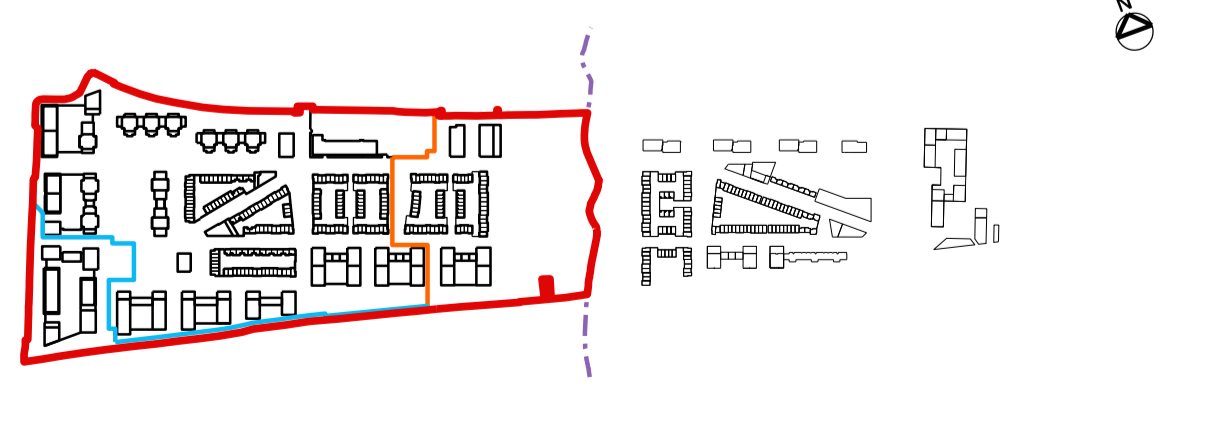
- 1. Brick type C (Pale brown brick)
- 2. Brick type D (Light grey brick)
- 3. Brick type F (Contrast charcoal brick)
- 4. Stretcher bond brickwork
- 5. Soldier course brickwork
- 6. Brick on edge
- 7. Brick parapet
- 8. Brick pier
- 9. Brick upstand
- 10. Precast column
- 11. Projecting precast string course
- 12. Projecting precast coping
- 13. Precast panel
- 14. Projecting precast parapet
- 15. Precast cladding
- 16. Projecting precast cornice
- 17. Projecting precast cladding - Lobby entrance
- 18. PPC aluminium faced window with 1100mm transom, PPC sill
- 19. PPC aluminium faced window with 1100mm transom and side fix panel, PPC sill
- 20. PPC aluminium faced window with 1100mm transom, Precast sill
- 21. PPC aluminium faced window with 1100mm transom and side fix panel, Precast sill
- 22. PPC aluminium faced window, Brick on edge sill

- 23. PPC aluminium glazed exterior door system
- 24. PPC aluminium exterior door system
- 25. PPC steel exterior door system
- 26. PPC steel framed shop frontage
- 27. PPC steel louvre doors
- 28. PPC steel louvre
- 29. PPC commercial retail louvre
- 30. Light bronze metalwork
- 31. Dark grey metalwork
- 32. PPC steel fence
- 33. PPC steel gate
- 34. PPC metal balcony
- 35. PPC mild steel flat packet balcony balustrade
- 36. Balcony metal fascia
- 37. Light balcony soffit
- 38. Dark balcony soffit
- 39. Conservation kerb
- 40. PPC rainwater downpipe
- 41. Projecting precast cladding
- 42. Recessed precast cladding
- 43. PPC balustrade
- 44. Precast window header

Key plan - Phase C



Key plan - Phases A to G



**General Notes**  
DO NOT SCALE. All dimensions must be checked on site, errors are to be reported.  
All illustrated material is subject to copyright. Unless otherwise agreed in writing, all rights to use this document are subject to payment of Architect's charges. This document may only be used for the express purpose and project for which it has been created and delivered, as notified in writing by the Architect. This document may not be otherwise used or copied. Any unauthorised use of this document is at the user's sole risk and without limiting the Architect's rights the user releases and indemnifies the Architect from and against all loss so arising.  
**Contractors must ensure that cross referenced drawings and specifications noted on these drawings are checked on a regular basis to ensure that the latest revisions are used.**

**Client**  
Countryside  
Countryside House  
The Drive, Great Warley  
Brentwood CM13 3AT  
+44(0)1277 260000

**Client**  
L&Q  
10 Grove Crescent Road  
Stratford, London E15 1BJ  
+44(0)20 8012 2355

**Stakeholder**  
Greater London Authority  
City Hall, Kamal Chunchie  
Way, London E16 1ZE  
+44(0)20 7953 4000

**Mayor of London**

**Architect**  
Patel Taylor  
48 Rawstorne Street  
London EC1V 7ND  
+44(0)20 7278 2323

**Title**  
Phase C detailed application  
Plot C1, C4, C5 & C6  
Building elevation H, 8 of 9

**Project**  
Beam Park

**Scale**  
1:200 @ A1  
1:400 @ A3

**Issue Record**  
By Chk Date

PL1 For Planning AK SR 13.05.2022

**Drawing Number**  
448-PTA-C-ZZ-DR-A-1307

**Revision**  
PL1

**Status**  
For Planning

Patel Taylor  
48 Rawstorne Street  
London EC1V 7ND  
T +44 (0)20 7278 2323  
www.patel-taylor.co.uk